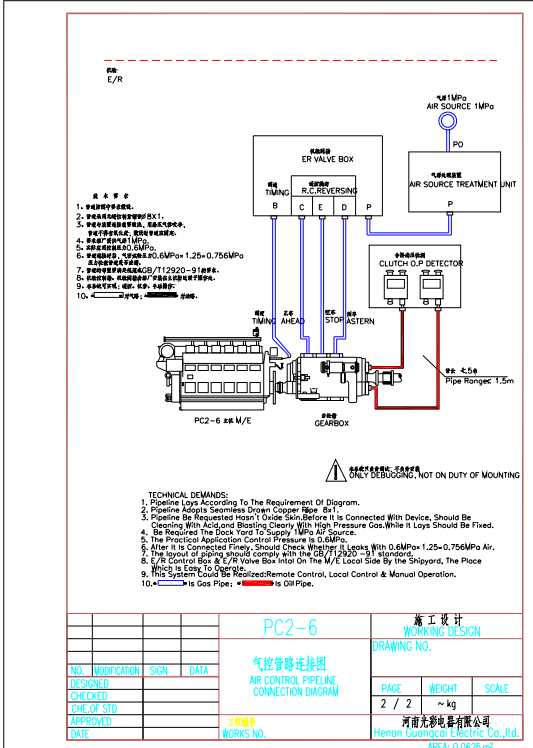


10					
9	HA1	机舱报警电铃	ER ALARM EL BELL	1	厂家供货 SUPPLIED BY D.Y.
8	GB1	非磁按钮磁器	GB TERMINAL	1	厂家供货 SUPPLIED BY D.Y.
7	MB1	主操终端器	ME TERMINAL STRIP	1	厂家供货 SUPPLIED BY D.Y.
6	TR	主手操接收器	ME TELEGRAPH RECEIVER	1	
5	EVB	机舱阀箱	ER VALVE BOX	1	
4	ECB	机舱控制箱	ER CONTROL BOX	1	
3	CB	机舱接线箱	ER CONNECTION BOX	1	成套供货 SUPPLIED IN SET
2	WPU	遥控电源单元	R.C. EL. POWER UNIT	1	
1	WCU	驾驶室控制单元	W/H CONTROL UNIT	1	

序号	符号和代号	名称	型号和规格	数量	备注
NO.	SYMBOL	NAME	TYPE AND STANDARD	QTY.	REMARKS
PC2-6					
主机遥控系统图					
SYSTEM DIAGRAM OF REMOTE CONTROL OF W/E					
NO.	MODIFICATION	SIGN.	DATE		
DESIGNED					
CHECKED					
CHE. OF STD.					
APPROVED					
DATE					
工程编号 WORKS NO.			技术设计 TECHNICAL DESIGN		
			DRAWING NO.		
			PAGE		
			WEIGHT		
			SCALE		
			1 / 2		
			~ kg		
			河南光影电器有限公司		
			Henan Guangying Electric Co., Ltd.		
			AREA: 0.1875 m ²		



NO.	MODIFICATION	SIGN.	DATE			
DESIGNED						
CHECKED						
CHE. OF STD.						
APPROVED						
DATE						
工程编号 WORKS NO.				施工设计 WORKING DESIGN		
				DRAWING NO.		
				PAGE		
				WEIGHT		
				SCALE		
				2 / 2		
				~ kg		
				河南光影电器有限公司		
				Henan Guangying Electric Co., Ltd.		
				AREA: 0.0625 m ²		